



GFI SOLUTIONS

GFI Solutions is a full turnkey access solutions provider. We offer the most diverse cost-effective SiteSafe™ access solutions on the market. Currently, our fleet has over 60,000 access mats available for rent or purchase.

At GFI, we recognize that various terrain characteristics may require diverse matting solutions for each project. That's why our SiteSafe™ access solutions go beyond just offering traditional access, crane, and rig mats. We also provide SiteSafe™ modular bridges, which have quickly become the industry's preferred option for line crossings and short spans.

Moreover, our innovative line of SiteSafe™ Rubber Access Solutions effectively minimizes damages caused by heavy tracked equipment. At GFI, we continually seek innovative ways to reduce your access costs through our cutting-edge SiteSafe™ access solutions.

SiteSafe™



GFI Solutions Ltd
sales@gfisolutionsltd.com
gfisolutionsltd.com
1-833-434-6287



GFI SOLUTIONS

**SiteSafe™ 8'x14'
Bolted Access Mat
Gapped & Solid Top**



**SiteSafe™ 8'x14'
CLT Access Mat**



**SiteSafe™
8'x14" Rubber
Access Mat**

**SiteSafe™
Access Solutions
For Any Project**

**Rig Mats
8'x20' & 8'x40'**



**Crane Mats
4'x10', 4'x20' & 4'x30'**

SiteSafe™



GFI Solutions Ltd
sales@gfisolutionsltd.com
gfisolutionsltd.com
1-833-434-6287

LOAD RATINGS

SiteSafe™ Single Bridge



SiteSafe™ Double Bridge



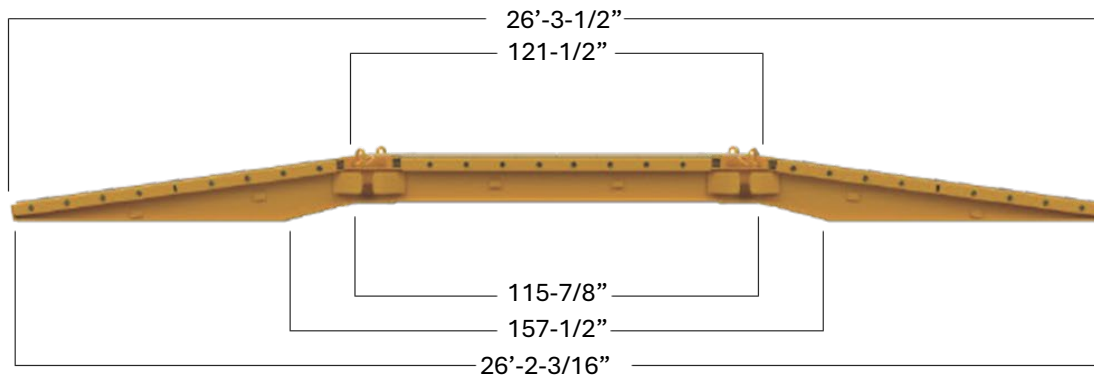
Load ratings based on stable foundation - ratings may vary, dependent on soil or foundation conditions. Site review and inspection are recommended to ensure a stable foundation.



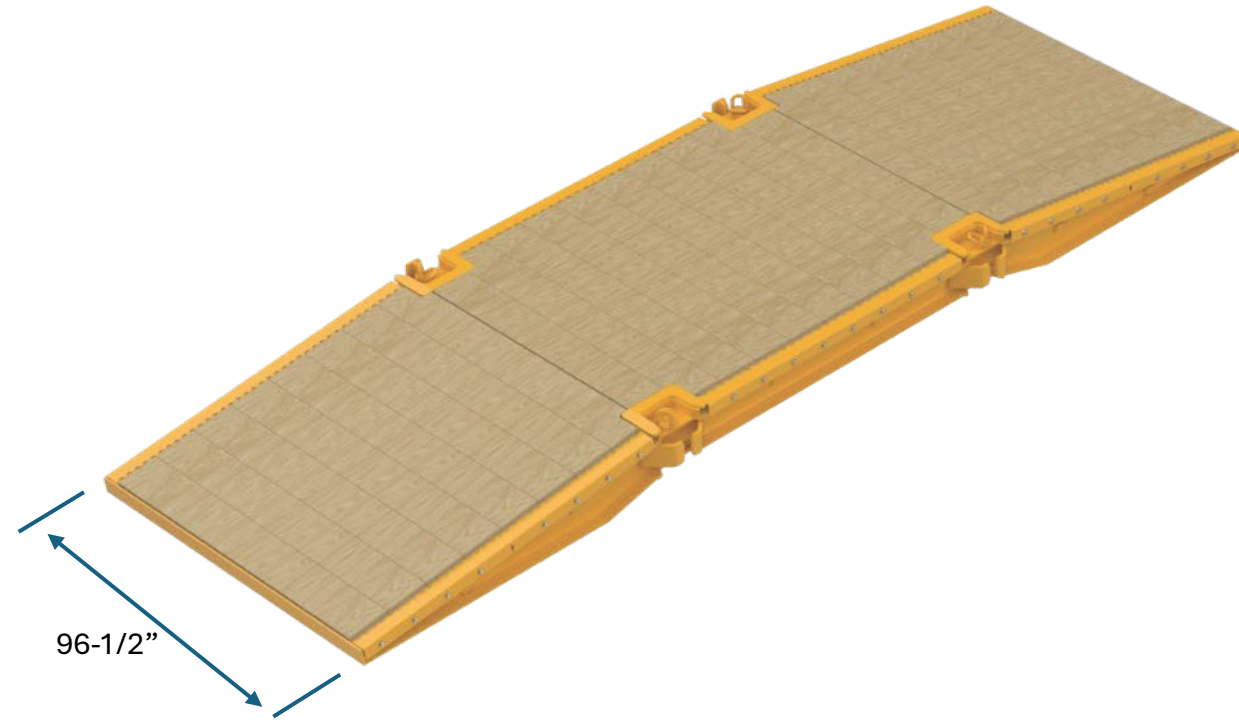
GFI SOLUTIONS

DIMENSIONS

SiteSafe™ Single Bridge



Transport Six SiteSafe™ Single Bridges On a Single Truck Load.



SiteSafe™



GFI Solutions Ltd
sales@gfisolutionsltd.com
gfisolutionsltd.com
1-833-434-6287